


Qty.	Description
1	<p data-bbox="199 338 459 367">CM5-5 A-R-A-E-AVBE</p> <div data-bbox="279 421 491 591" style="text-align: center;">  </div> <p data-bbox="592 616 1075 642" style="text-align: center;">Note! Product picture may differ from actual product</p> <p data-bbox="199 647 469 676">Product No.: 96806813</p> <p data-bbox="199 705 1058 766">CM is a compact horizontal multistage centrifugal pump, close-coupled with a: 1-phase, 220-240 V, 50 Hz. Foot mounted motor.</p> <p data-bbox="199 766 1453 819">The pump is with axial suction port and radial discharge port including a special designed mechanical shaft seal in the solution AVBE.</p> <p data-bbox="199 822 983 853">Shaft, impellers, chambers and filling plugs are made of stainless steel.</p> <p data-bbox="199 853 588 884">Suction and discharge are made of .</p> <p data-bbox="199 913 1434 967">The CM can also operate as a CME by connecting the motor to a CUE. Please find more information in the CUE part of Win/WebCAPS.</p> <p data-bbox="199 1003 877 1151"> : Pumped liquid: Water μ : -20 .. 90 °C μ : 20 °C Density at selected liquid temperature: 998.2 kg/m³ </p> <p data-bbox="199 1182 1117 1240"> : : 2900 rpm </p> <p data-bbox="199 1240 839 1388"> Rated flow: 4.7 m³/h Rated head: 38.6 m : AVBE : CE,WRAS,ACS,TR,EAC Curve tolerance: ISO9906:2012 3B </p> <p data-bbox="199 1420 694 1536"> : Pump housing: EN-JL1030 ASTM 30 B </p> <p data-bbox="199 1538 769 1621"> Impeller: DIN W.-Nr. 1.4301 AISI 304 </p> <p data-bbox="199 1624 639 1655"> Rubber: EPDM </p> <p data-bbox="199 1686 786 1834"> : μ : 55 °C : 10 bar μ: 6 bar / 90 °C 10 bar / 40 °C </p> <p data-bbox="199 1834 903 1865"> Flange standard: WHITWORTH RP </p> <p data-bbox="199 1865 662 1897"> Pump inlet: Rp 1 1/4 </p> <p data-bbox="199 1897 619 1928"> Pump outlet: Rp 1 </p> <p data-bbox="199 1960 722 2101"> : Motor type: 80B μ - 2: 0.9 kW : 50 Hz Rated voltage: 1 x 220-240 V </p>



Company name:

Created by:

Phone:

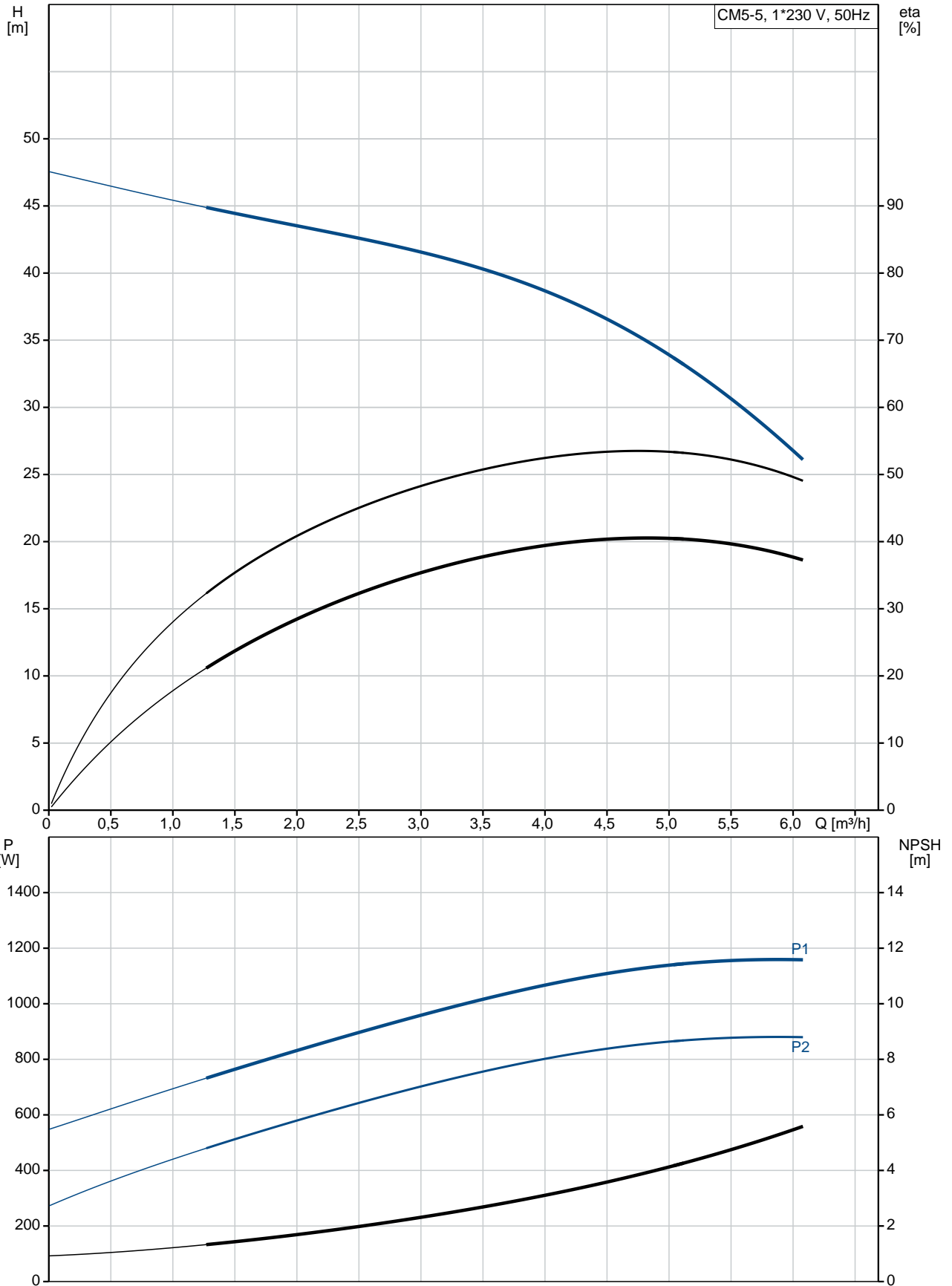
Date:

16/5/2019

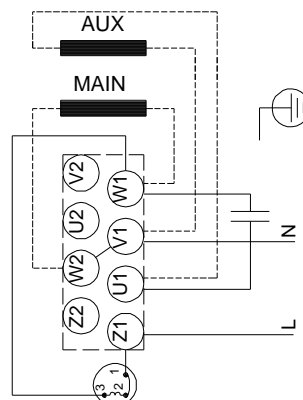
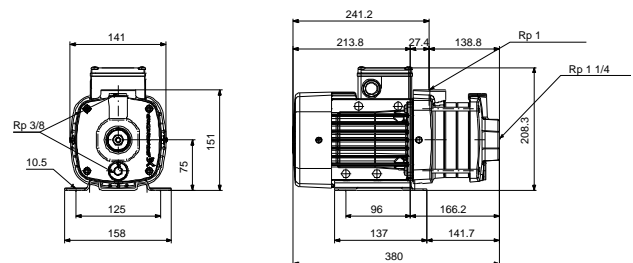
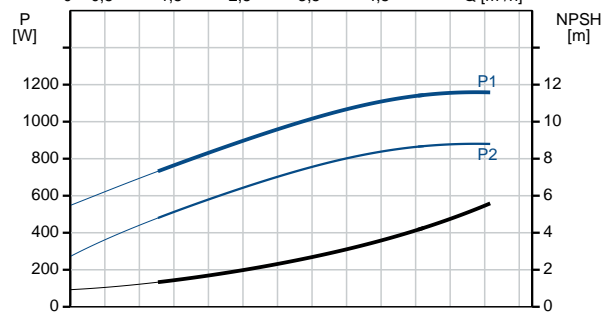
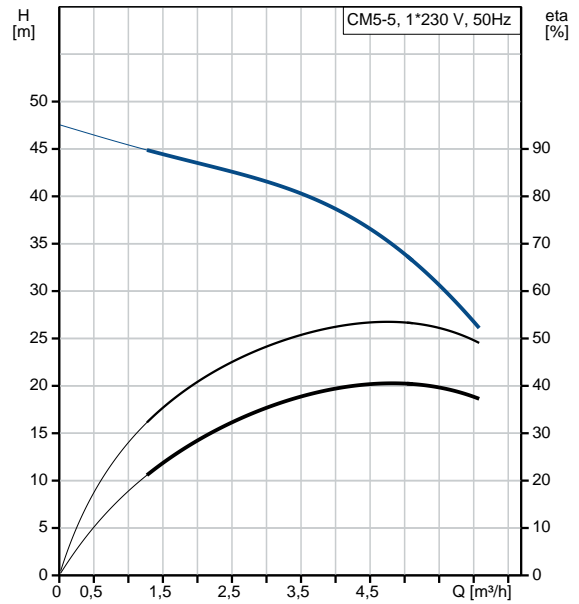
Qty. Description

Service factor: 1
Rated current: 5.4-5.0 A
μ : 430 %
μ : 2750-2790 rpm
μ (IEC 34-5): IP55
μ (IEC 85): F
:
, =: 0.7
Net weight: 14.9 kg
Gross weight: 17.4 kg

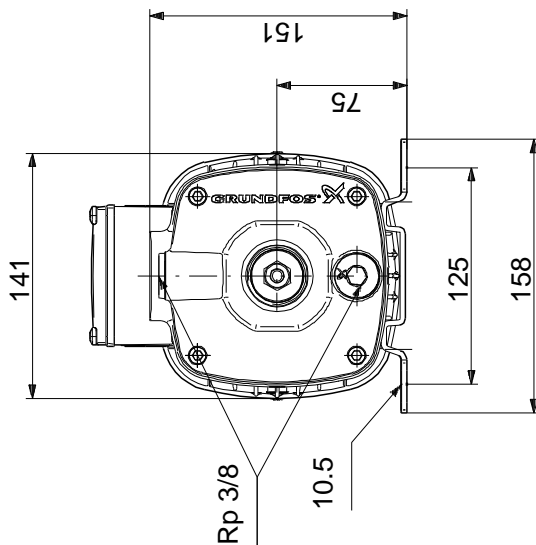
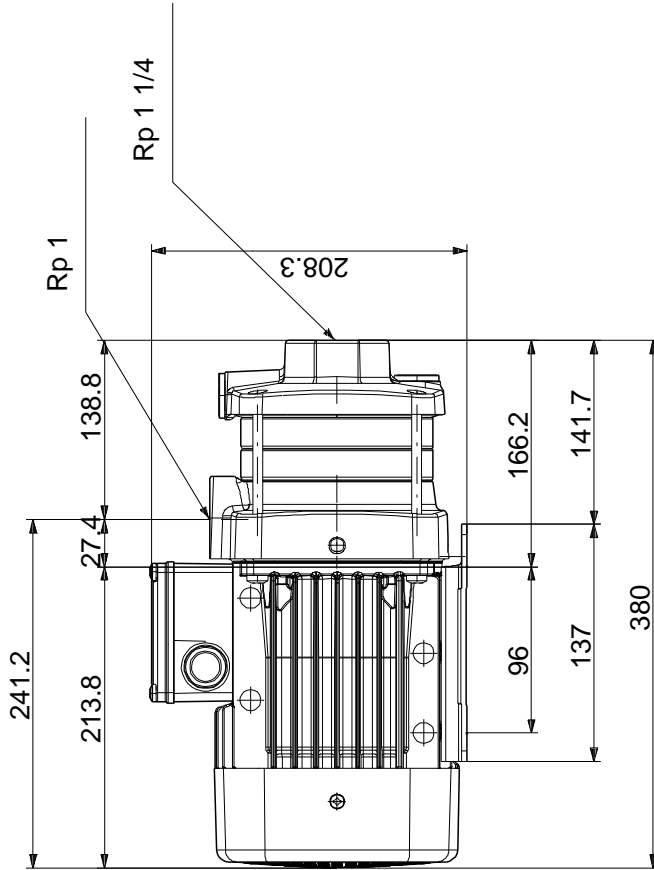
96806813 CM5-5 A-R-A-E-AVBE 50 Hz



Description	Value
General information:	
μ :	CM5-5 A-R-A-E-AVBE
μ :	96806813
μ :	5700310917603
μ :	
μ :	2900 rpm
Rated flow:	4.7 m³/h
Rated head:	38.6 m
Impellers:	5
μ :	AVBE
μ :	CE,WRAS,ACS,TR,EAC
Curve tolerance:	ISO9906:2012 3B
Pump version:	A
Model:	A
μ :	
Pump housing:	
μ :	EN-JL1030
μ :	ASTM 30 B
Impeller:	
μ :	DIN W.-Nr. 1.4301
μ :	AISI 304
Material code:	A
Rubber:	EPDM
Code for rubber:	E
μ :	
μ :	55 °C
μ :	10 bar
μ μ:	6 bar / 90 °C
μ μ:	10 bar / 40 °C
Flange standard:	WHITWORTH RP
Pump inlet:	Rp 1 1/4
Pump outlet:	Rp 1
Connect code:	R
μ :	
Pumped liquid:	Water
μ :	-20 .. 90 °C
μ :	20 °C
Density at selected liquid temperature:	998.2 kg/m³
μ :	
Motor type:	80B
μ - 2:	0.9 kW
μ :	50 Hz
Rated voltage:	1 x 220-240 V
Service factor:	1
Rated current:	5.4-5.0 A
μ :	430 %
μ :	2750-2790 rpm
μ (IEC 34-5):	IP55
μ (IEC 85):	F
Motor protec:	TP211
μ :	
μ , =:	0.7
Net weight:	14.9 kg
Gross weight:	17.4 kg



96806813 CM5-5 A-R-A-E-AVBE 50 Hz



Note! All units are in [mm] unless others are stated.
Disclaimer: This simplified dimensional drawing does not show all details.