



## 2-way Air Discharge Cassette Type

### Slim and compact unit

All ceiling panels share the same 680 mm depth making installation easy.  
Condensate drain pump included.

Available for ceilings up to 3.8 m in height. (in case of 0.8 to 3.2 HP models)  
Easy installation and fine adjustment using the "Adjust-Cover" function.

### MMU-AP\*\*\*2WH1

### Technical specifications

Model name	MMU-	AP0072WH1	AP0092WH1	AP0122WH1	AP0152WH1	AP0182WH1	AP0242WH1	AP0272WH1	AP0302WH1	AP0362WH1	AP0482WH1	AP0562WH1	
Cooling/Heating capacity*1	(kW)	2.2/2.5	2.8/3.2	3.6/4.0	4.5/5.0	5.6/6.3	7.1/8.0	8.0/9.0	9.0/10.0	11.2/12.5	14.0/16.0	16.0/18.0	
Electrical characteristics	Power requirements	1-phase 50Hz 230V (220-240V)/1-phase 60Hz 220V (Separate power supply for indoor units required)											
	Power consumption 50 Hz/60 Hz	(kW)	0.029/0.029		0.030/0.030	0.044/0.044	0.054/0.054	0.064/0.064	0.076/0.076	0.088/0.088	0.117/0.117		
Appearance (Ceiling panel)	Model	RBC-UW283PG(W)-E				RBC-UW803PG(W)-E				RBC-UW1403PG(W)-E			
External dimensions: Main unit (Ceiling panel)*	Height	(mm)	295 (20)*				345 (20)*						
	Width	(mm)	815 (1050)*				1180 (1415)*				1600 (1835)*		
	Depth	(mm)	570 (680)*										
Total weight: Main unit (Ceiling panel)*	(kg)	19 (10)*				26 (14)*				36 (14)*			
Fan unit	Standard air flow (High/Mid/Low)	(m <sup>3</sup> /h)	558/498/450		600/534/450	900/750/618	1050/840/738	1260/900/780	1740/1434/1182	1800/1482/1230	2040/1578/1320		
	Motor output	(W)	20			30	40	50	70				
Connecting pipe	Gas side	(mm)	ø9.5			ø12.7		ø15.9					
	Liquid side	(mm)	ø6.4				ø9.5						
	Drain port (nominal dia.)		25 (Polyvinyl chloride tube)										
Sound pressure level*2 (High/Mid/Low)	(dB(A))	34/32/30			35/33/30		38/35/33		40/37/34	42/39/36	43/40/37	46/42/39	
Sound power level (High/Mid/Low)	(dB(A))	49/47/45			50/48/45		53/50/48		55/52/49	57/54/51	58/55/52	61/57/54	

\* Figures in parentheses are for ceiling panels.

Note 1: The capacities are measured under the conditions specified by JIS B 8615 based on the reference piping.

The reference piping consists of 5 m of main piping and 2.5 m of branch piping connected with 0 m height.

Note 2: The sound level are measured in an anechoic chamber in accordance with JIS B 8616.

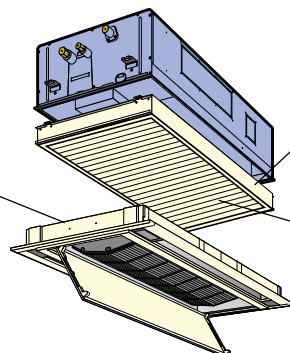
Normally, the values measured in the actual operating environment become larger than the indicated values due to the effects of external sound.

Note: Rated conditions Cooling: Indoor air temperature 27°C DB/19°C WB, Outdoor air temperature 35°C DB.

Heating: Indoor air temperature 20°C DB, Outdoor air temperature 7°C DB/6°C WB.

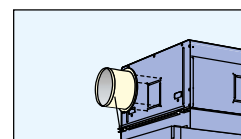
### Options

Ceiling panel  
RBC-UW283PG(W)-E  
RBC-UW803PG(W)-E  
RBC-UW1403PG(W)-E



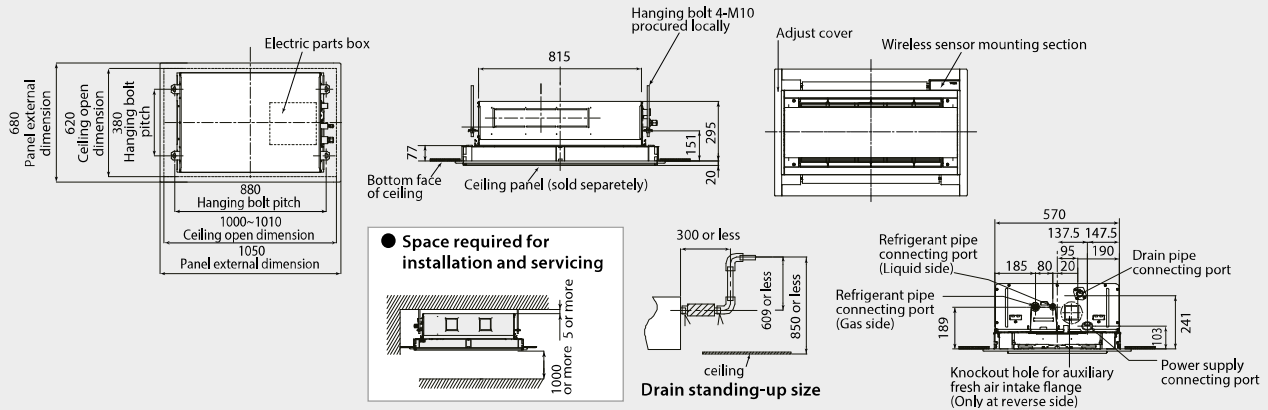
Filter chamber  
TCB-FC283UW-E  
TCB-FC803UW-E  
TCB-FC1403UW-E

Super long life filter  
TCB-LF283UW-E  
TCB-LF803UW-E  
TCB-LF1403UW-E



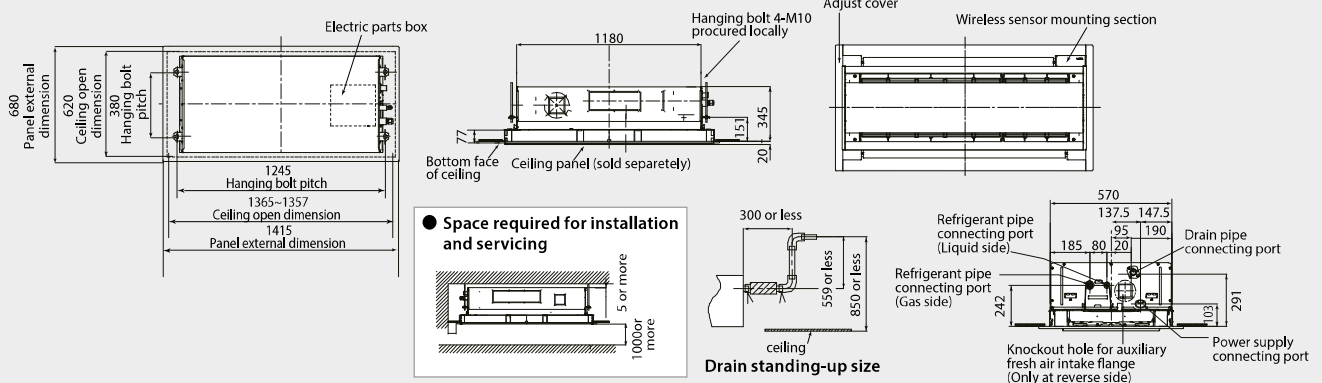
Auxiliary fresh air flange  
TCB-FF151US-E

## MMU-AP0072WH1 to AP0152WH1



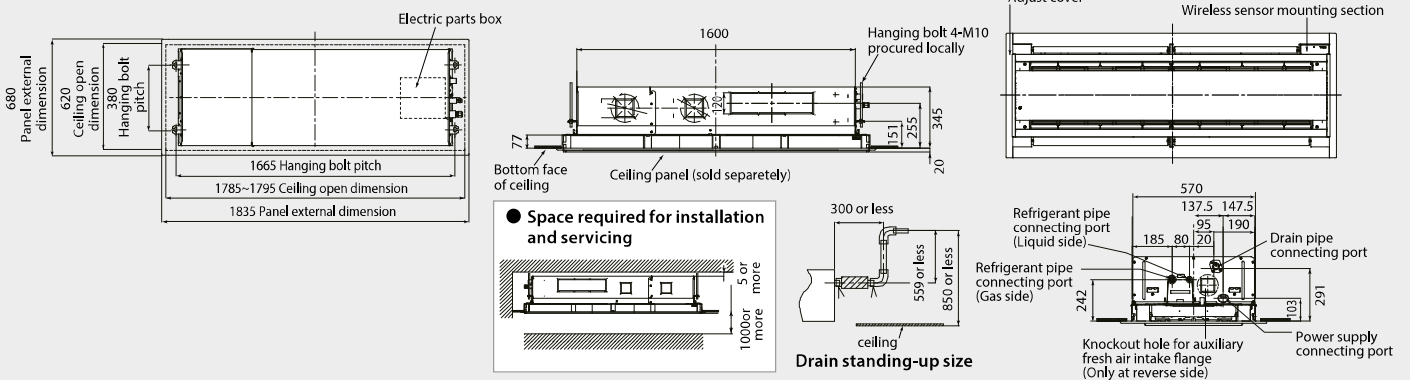
(Unit: mm)

## MMU-AP0182WH1 to AP0302WH1



(Unit: mm)

## MMU-AP0362WH1 to AP0562WH1



(Unit: mm)