



* The photo shows the MMU-AP***2SH Series.

1-way Air Discharge Cassette Type

The perfect choice for hotels and reception areas

Designed for quiet operation, it is suited to office environments.
Ideal for smaller rooms where one-way air distribution is required.
Able to blow air straight out.
Condensate drain pump included.
Long-life filters fitted as standard.

MMU-AP*4YH1-E**
MMU-AP*4SH1-E**

Fresh air intake is possible

Preparations/connection possible with a circle duct flange.

Technical specifications

Model name		MMU-	AP0074YH1-E	AP0094YH1-E	AP0124YH1-E	AP0154SH1-E	AP0184SH1-E	AP0244SH1-E	
Cooling/Heating capacity* ¹		(kW)	2.2/2.5	2.8/3.2	3.6/4.0	4.5/5.0	5.6/6.3	7.1/8.0	
Electrical characteristics	Power requirements	1-phase 50 Hz 230 V (220–240 V)/1-phase 60 Hz 220 V (Separate power supply for indoor units required.)							
	Power consumption 50 Hz/60 Hz	(kW)	0.053/0.056		0.042/0.041		0.046/0.045	0.075/0.073	
Appearance (Ceiling panel)		Model	RBC-UY136PG			RBC-US21PGE			
External dimensions: Main unit (Ceiling panel)*	Height	(mm)	235 (18)*			200 (20)*			
	Width	(mm)	850 (1050)*			1000 (1230)*			
	Depth	(mm)	400 (470)*			710 (800)*			
Total weight: Main unit (Ceiling panel)*		(kg)	22 (3.5)*			21 (5.5)*		22 (5.5)*	
Fan unit	Standard air flow (High/Mid/Low)	(m ³ /h)	540/480/420			750/690/630	780/720/660		1140/960/810
	Motor output	(W)	22			30			
Connecting pipe	Gas side	(mm)	ø9.5			ø12.7		ø15.9	
	Liquid side	(mm)	ø6.4					ø9.5	
	Drain port (nominal dia.)		25 (Polyvinyl chloride tube)						
Sound pressure level* ² (High/Mid/Low)		(dB(A))	42/39/34			37/35/32	38/36/34		45/41/37
Sound power level (High/Mid/Low)		(dB(A))	57/54/49			57/54/51		58/56/52	

* Figures in parentheses are for ceiling panels.

Note 1 : The capacities are measured under the conditions specified by JIS B 8615 based on the reference piping. The reference piping consists of 5 m of main piping and 2.5 m of branch piping connected with 0 m height.

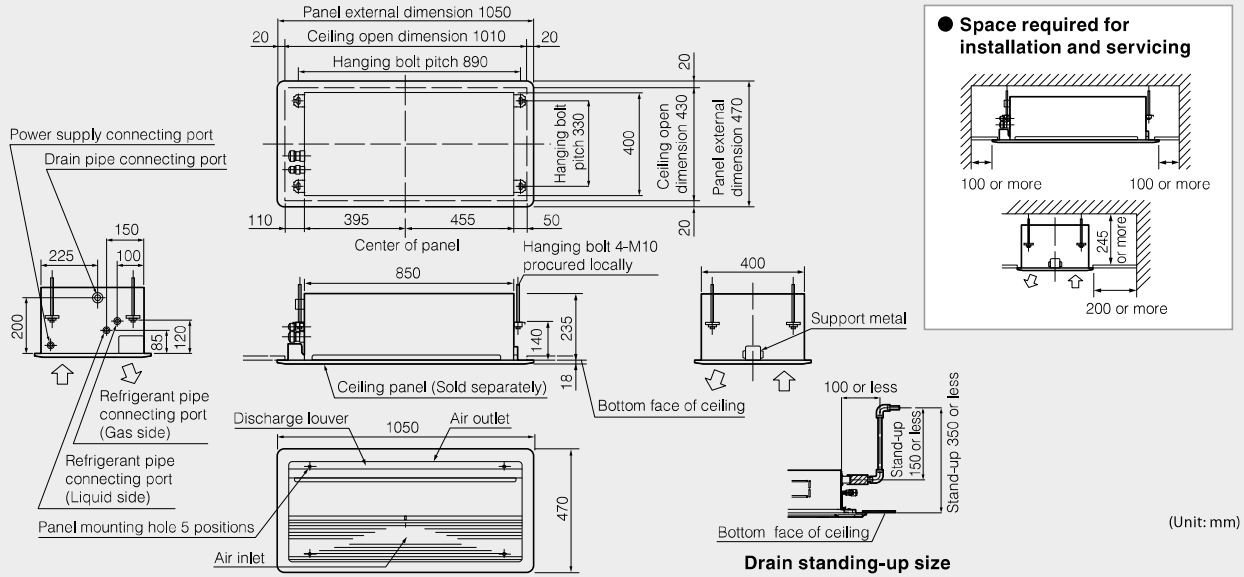
Note 2 : The sound level are measured in an anechoic chamber in accordance with JIS B 8616.

Normally, the values measured in the actual operating environment become larger than the indicated values due to the effects of external sound.

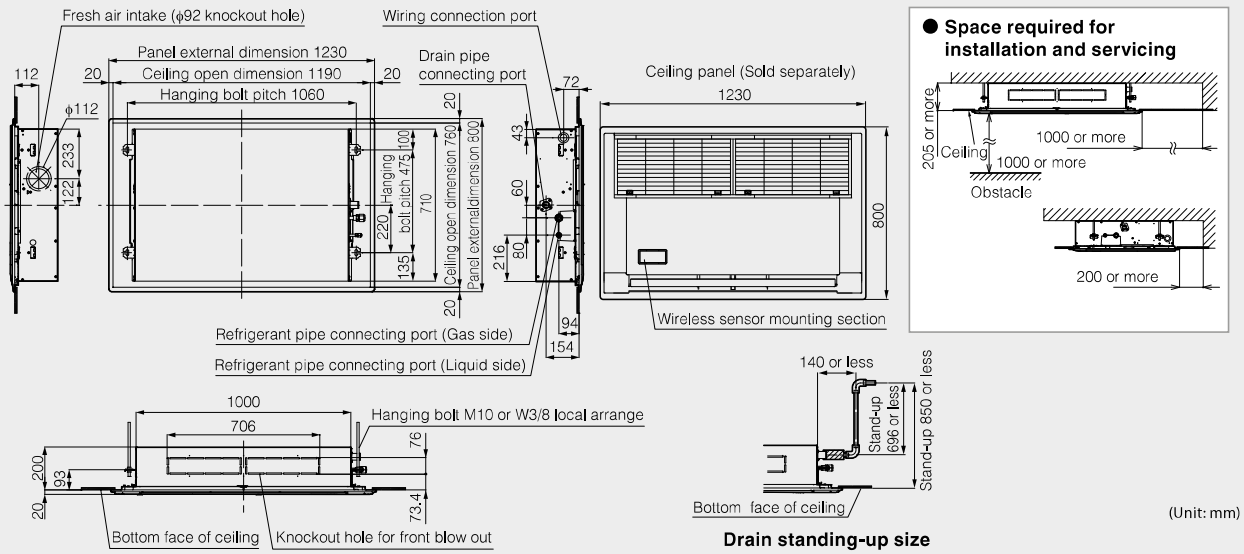
Note : Rated conditions Cooling : Indoor air temperature 27°C DB/19°C WB, Outdoor air temperature 35°C DB.

Heating : Indoor air temperature 20°C DB, Outdoor air temperature 7°C DB/6°C WB.

MMU-AP0074YH1-E to AP0124YH1-E

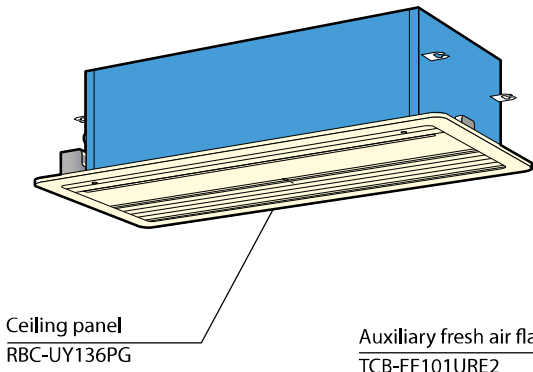


MMU-AP0154SH1-E to AP0244SH1-E

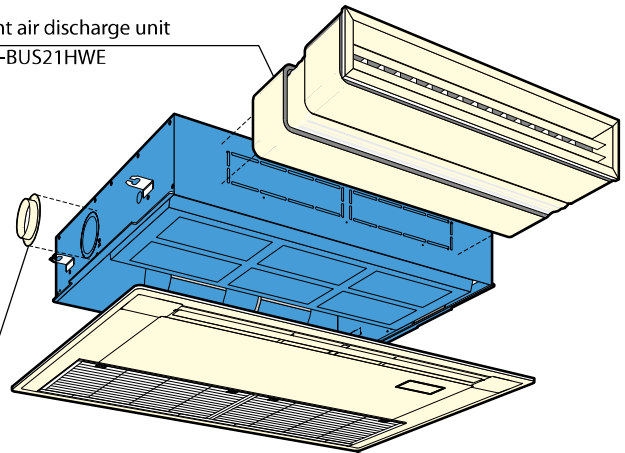


Options

AP0074YH1-E/AP0094YH1-E/AP0124YH1-E



**Front air discharge unit
 TCB-BUS21HWE**



AP0154SH1-E/AP0184SH1-E/AP0244SH1-E

Ceiling panel
 RBC-US21PGE